

Issued Date : 20,Jul,2007

Issued No. : 070720 M0

Messrs : e-Ride

Temperature Compensated Crystal Oscillator

(VC-TCXO / TCXO)

**KT3225F27456ZAW28TA0
(KT21F-ZAW28A-27.456M-T)**

Technical Specification

Preliminary

KYOCERA KINSEKI Corporation

KAGOSHIMA KOKUBU Plant

TCXO Engineering Department

Revision History

Revision No.	Revision Date	Revision Content and reason	Prepared By	Approved By
00	20.Jul.2007	The first edition	M.MATSUSHITA	A.HISAKO

TCXO KT3225F Parts Number**KT3225F27456ZAW28TA0**

F : Product Specification Code

27456 : Nominal Frequency

Z : Freq. Stability vs Temp. +/-5.0 ppm

A : Bottom Temperature Limit -40 deg.C

W : Upper Temperature Limit +85 deg.C

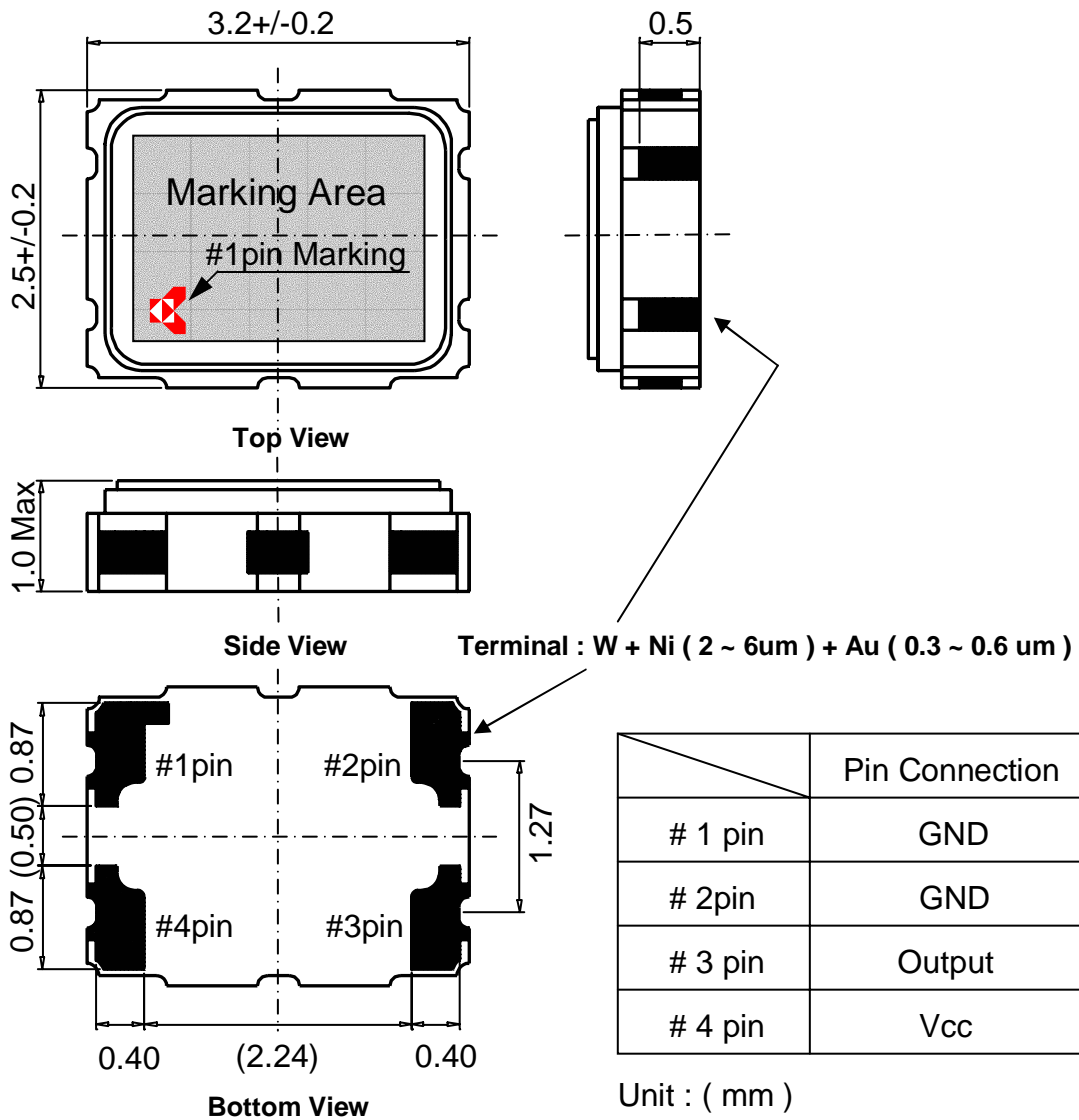
28 : Power Supply Voltage 2.8V (exp.)

T : Specification Number

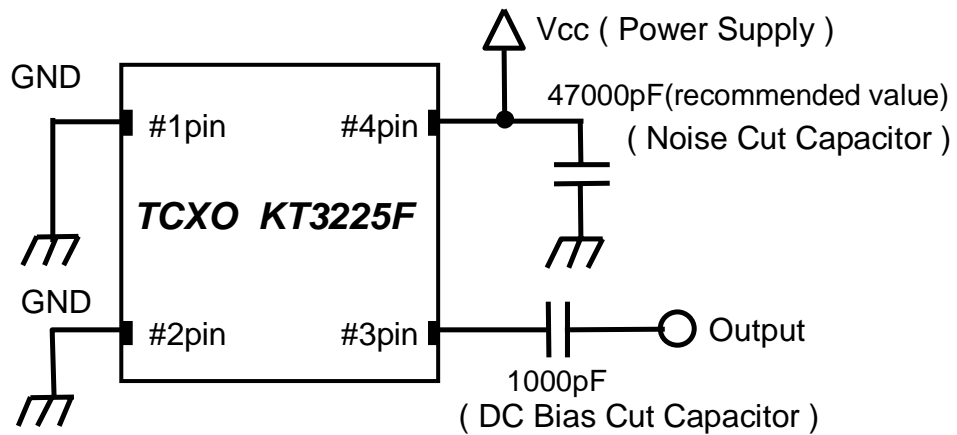
TCXO KT3225F Electrical Characteristics

Symbol	Item	Condition	Specification	Unit	Remarks
---	Power Supply Voltage Range		2.3 to 3.6	V	
Vcc	Power Supply Voltage		Vcc+/-5%	V	
F0	Nominal Frequency		27.456000	MHz	
Topr	Operating Temperature		-40 to +85	deg.C	
Tstg	Storage Temperature		-40 to +85	deg.C	
Vout	Output Voltage	Load:10pF/10kohm	0.8(min)	Vp-p	Ta=-40 to +85deg.C
Icc	Power Supply Current		1.5(max)	mA	
f0	Frequency Tolerance	Preset Frequency and after 2times reflow soldering	+/-2.0(max)	ppm	Ta=25+/-2deg.C
df/F	Frequency Stability	vs Temp -30 to +85deg.C	+/-0.5(max)	ppm	ref.:Ta=25deg.C
		vs Temp -40 to -30deg.C	+/-5.0(max)	ppm	ref.:Ta=25deg.C
		vs Load 10pF+/-10% 10kohm+/-10%	+/-0.2(max)	ppm	
		vs Voltage Vcc+/-5%	+/-0.1(max)	ppm	
---	Static Tem. hysteresis		+/-0.6(max)	ppm	
dfag	Frequency Aging Rate	Ta=25+/-2deg.C	+/-1.0(max)	ppm/Y	One Year
---	Harmonics		-8.0(max)	dBc	
---	SSB Carrier Noise	@1Hz offset	-50(max)	dBc/Hz	Ta=25+/-2deg.C
		@10Hz offset	-80(max)	dBc/Hz	
		@100Hz offset	-105(max)	dBc/Hz	
		@1KHz offset	-125(max)	dBc/Hz	
		@10KHz offset	-140(max)	dBc/Hz	

TCXO KT3225F Dimension & Pin Connections

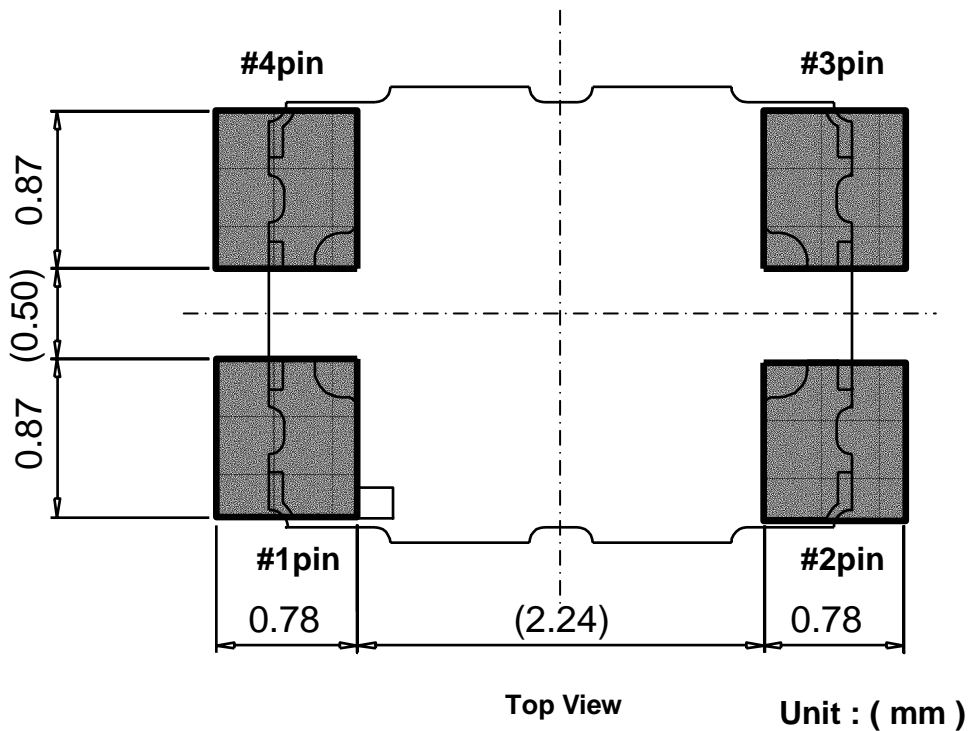


TCXO KT3225F Recommended Circuit

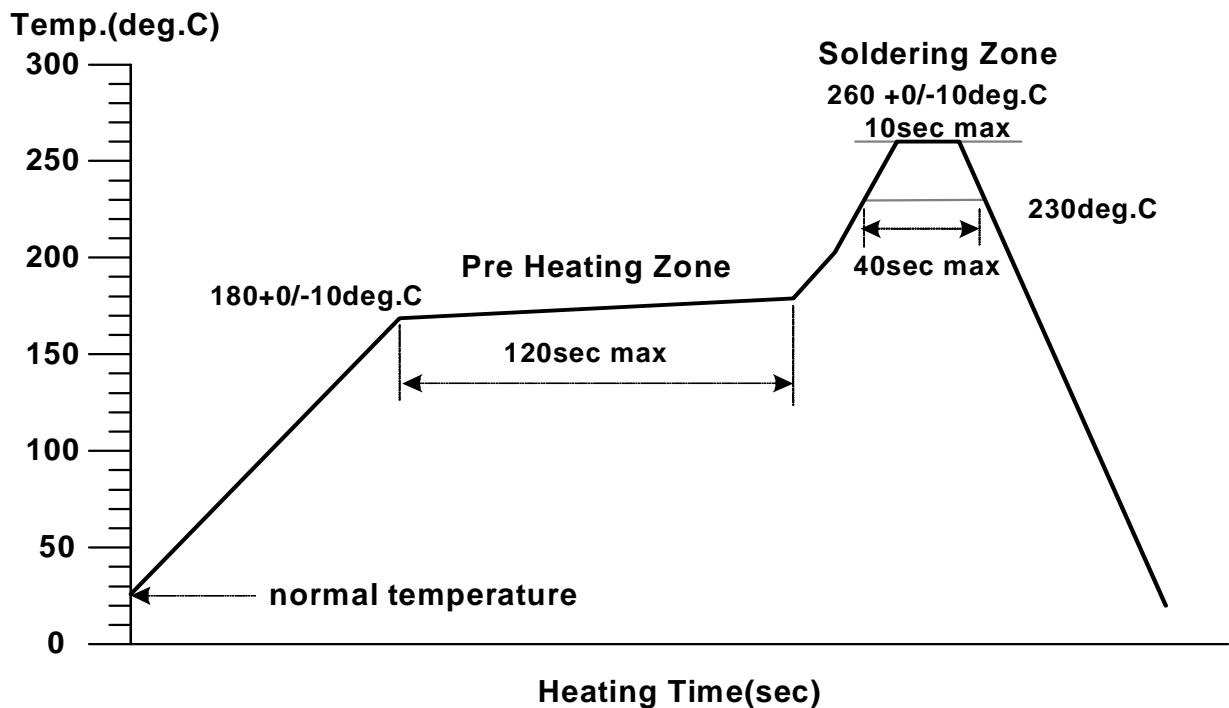


Because Noise Cut Capacitor change by the set, please confirm it

TCXO KT3225F Recommended Land Pattern

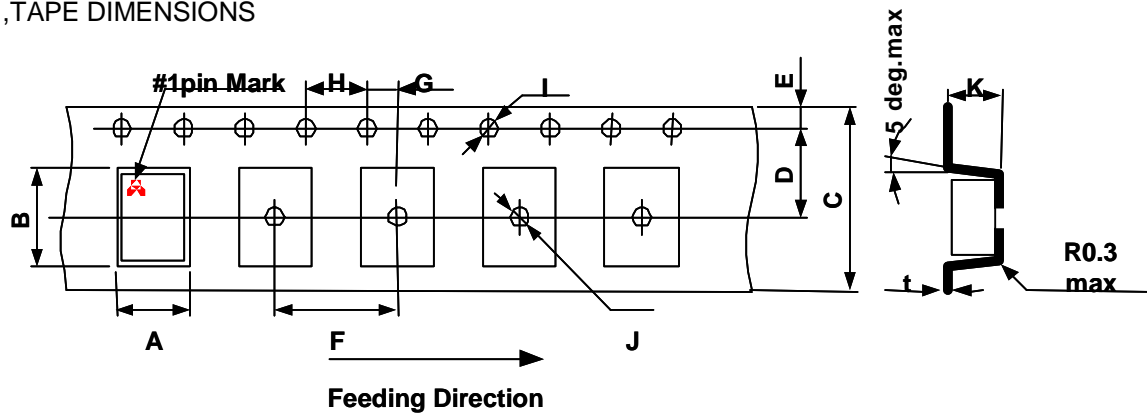


TCXO KT3225F Recommended Reflow Soldering Condition (Lead Free Version)



TCXO KT3225F TAPE&REEL SPEC

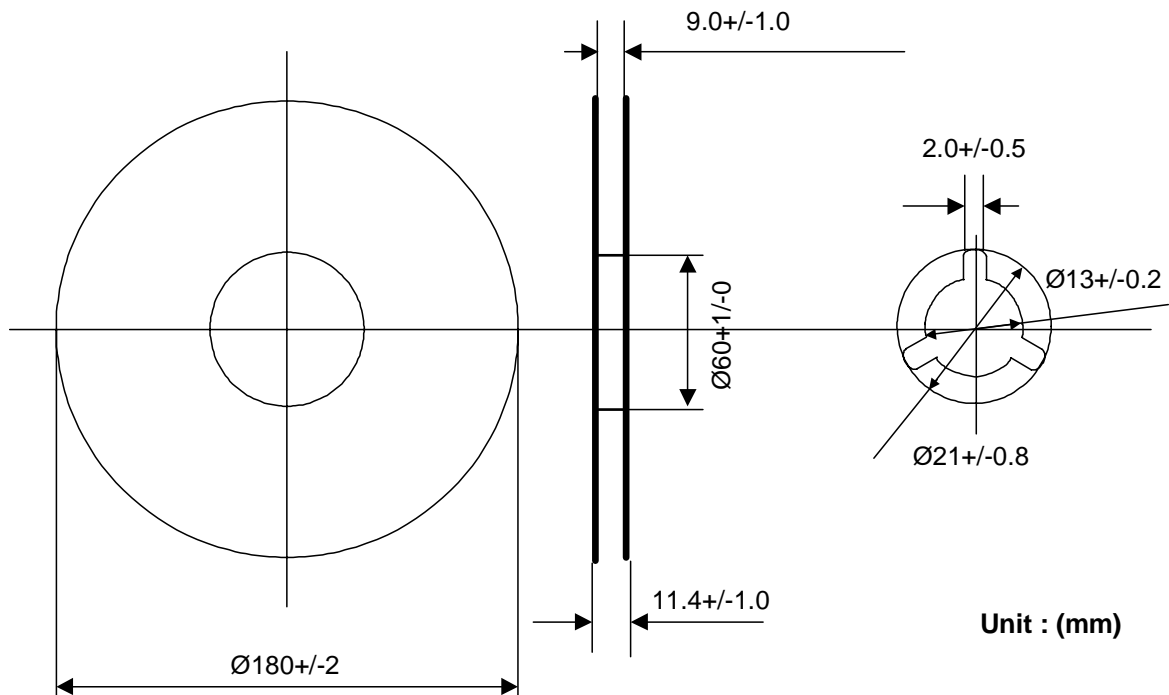
1, TAPE DIMENSIONS



Symbol	A	B	C	D	E
Dimension	2.8+/-0.1	3.5+/-0.1	8.0+/-0.3	3.5+/-0.05	1.75+/-0.1
Symbol	F	G	H	I	J
Dimension	4.0+/-0.1	2.0+/-0.05	4.0+/-0.1	F1.5+0.1/-0	F1.5+0.1/-0
Symbol	K	t			
Dimension	1.1+/-0.1	0.25+/-0.05			

Unit : (mm)

2. REELS DIMENSIONS



Unit : (mm)

REEL UNIT : 2000pcs / 1reel (MIN 500pcs / 1reel)